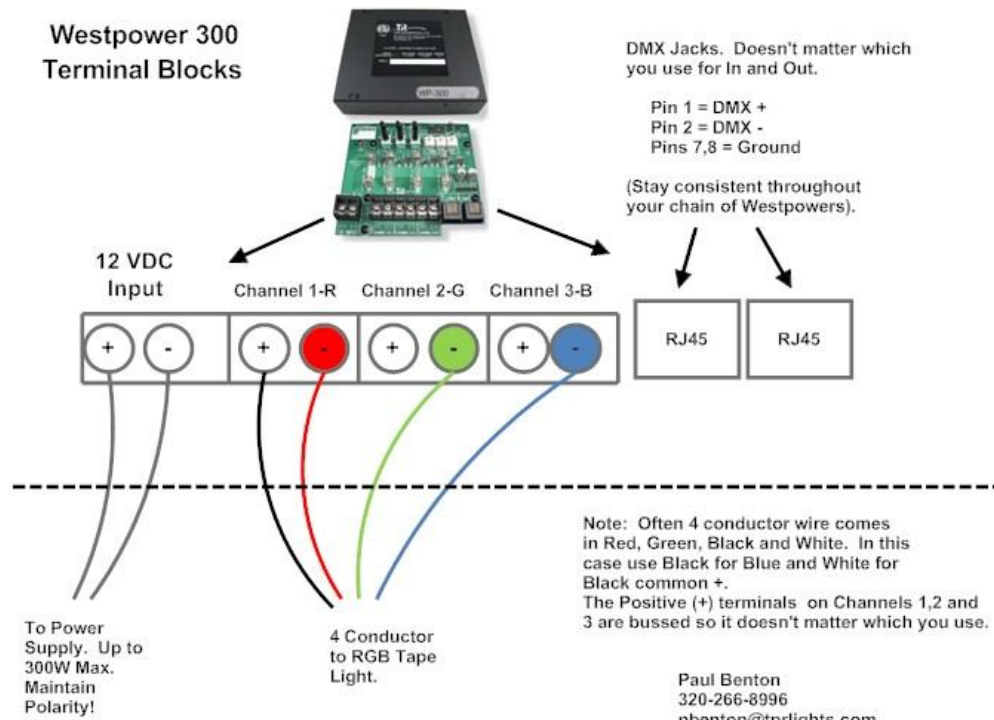
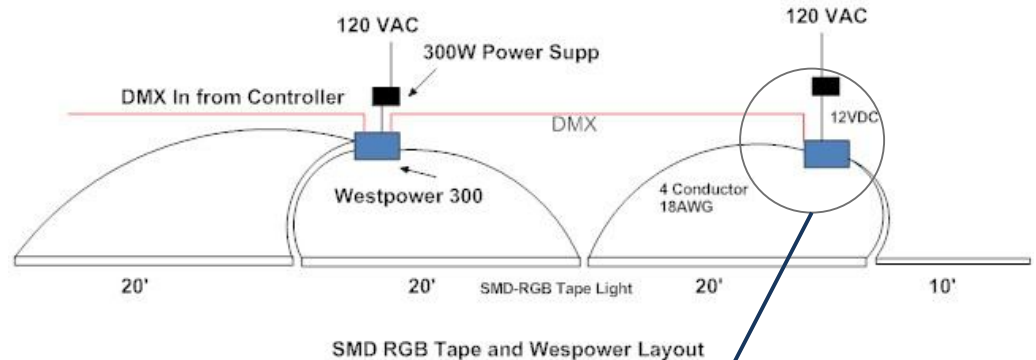
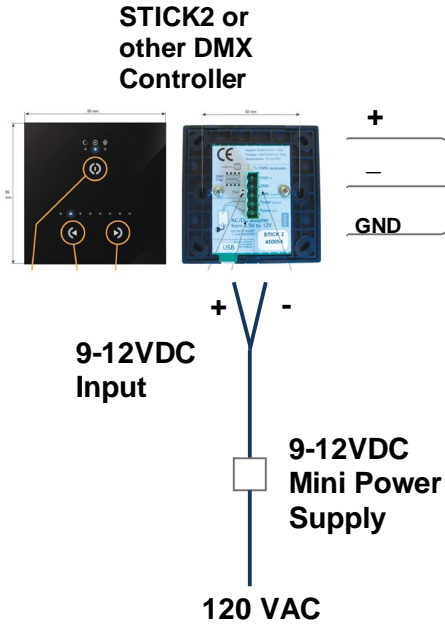


# SMD RGB Tape and Westpower 300 Layout



**Note: 10' runs or less are fed from one end. Over 10' must be fed from both ends.**

Paul Benton  
320-266-8996  
pbenton@tprlights.com