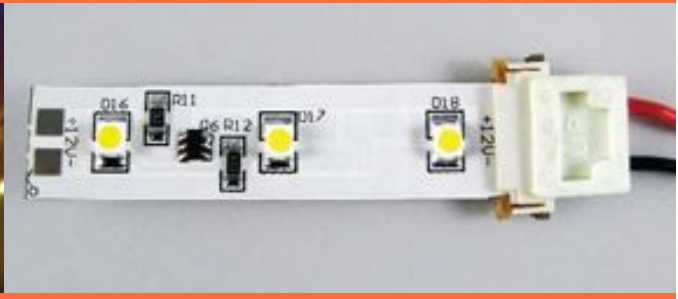
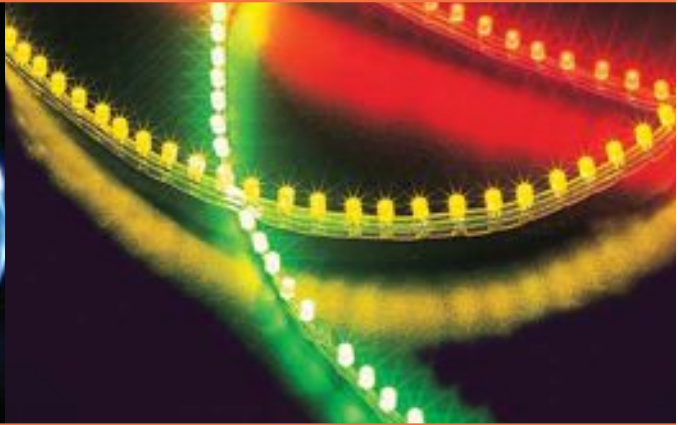
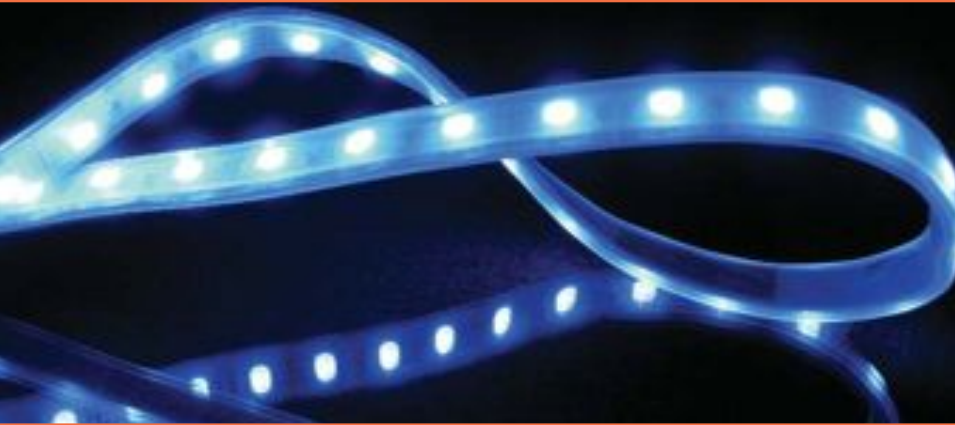


Westflex™

Family of Lighting Products



Westflex: a family of extremely flexible low voltage LED strip lights that are ETL listed, energy efficient, low heat and can be cut every 2". Ideal for Coves, Shelves, Stairs and Display Cases, the IP67 versions can be used outdoors and even submerged.

Westflex™

Westflex SMD™

Westflex SMD-RGB™

Westflex SMD Covemax™

Westflex SMD Covemax X™

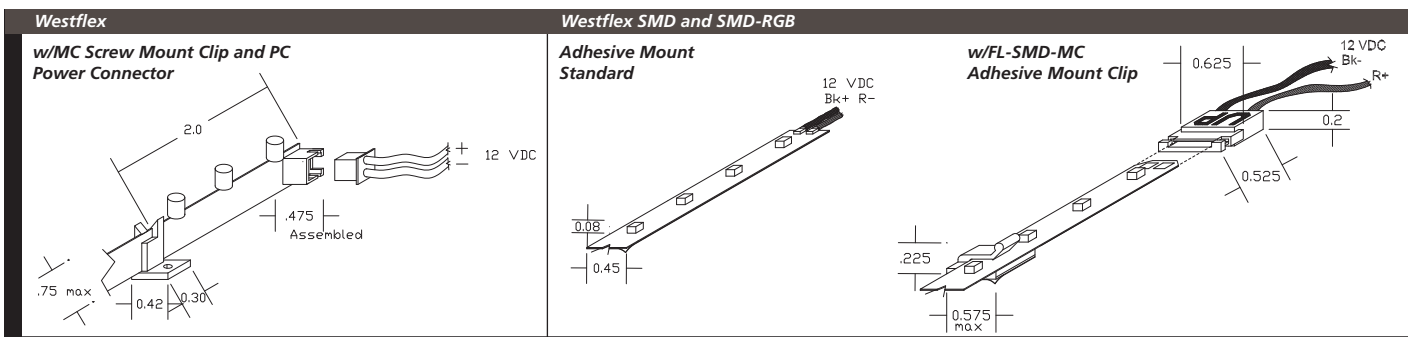
Westflex SMD Side Light™

TR
TPR ENTERPRISES, LTD.

THE WESTFLEX FAMILY – Side by Side

Product and Color Codes	Westflex	Westflex SMD (-WP)	Westflex SMD Covamax WP	Westflex SMD Covamax X WP	Westflex SMD- RGB (-WP)	Westflex SMD Side WP
	FL-12-<Color>	FL-SMD-<Color>(-WP)	FL-SMD-CM<Color>-WP	FL-SMD-CMX-<Color>-WP	FL-SMD-RGB-18 (-WP)	FL-SMD-S-<Color>-WP
COLOR CODES						
APPROXIMATE OUTPUT FOR 18" SEGMENT						
WW Warm White (~3200K) –	16 cd / 49 lm	20 cd / 62 lm	20 cd / 63 lm	34 cd / 106 lm	All on 24 cd / 75 lm	18 cd / 56 lm
W White (~6500K)	20 cd / 62 lm	23 cd / 72 lm	26 cd / 81 lm	44 cd / 137 lm		18 cd / 56 lm
R Red	4 cd / 13 lm	11 cd / 36 lm			R: 9 cd / 28 lm	3 cd / 11 lm
G Green	9 cd / 28 lm	18 cd / 58 lm			G: 17 cd / 55 lm	14 cd / 42 lm
B Blue	4 cd / 13 lm	5 cd / 16 lm			B: 6 cd / 17 lm	3 cd / 10 lm
Y Yellow	4 cd / 13 lm	5 cd / 16 lm			10 cd / 32 lm	
A Amber	4 cd / 13 lm					
O Orange	4 cd / 13 lm					
Life to 70% Output	5000 hrs	25,000 hrs	60,000 hrs	50,000 hrs	25,000 hrs	25,000 hrs
DETAILS						
Cross Section	0.75" high x 0.5" wide w/conn	Standard, SMD & SMD-RGB: 0.09" high x 0.45" wide SMD-WP, Covamax & Covamax X: 0.175" high x 0.55" wide				0.36" high x 0.18" wide
Bend Radius	1" Horiz.	1" Vertical				1" Horiz.
Power Consumption	2 w/ft				4.3 w/ft	2 w/ft
Beam Angle	120°					
LEDs/ft	18					
LED Type	Single Color Thru Hole Mount	Single Color Surface Mount	Single Color Nichia Surface Mount Superior Binning		Three Color Surface Mount	Single Color Surface Mount
Mounting	3 Clips/ft supplied	Standard: self-adhesive	Covamax & -WP- Optional Clips or Mounting Track		Standard: self-adhesive	Clips
Shortest Segment	2" (3 lamps)					
Max Length per Feed	10'					
Max Dist to End of Run (#18 awg)	35'	35'	35'	35'	20'	35'
Shipping	12" sections	20'-0" Roll or Cut to Order				Cut to Order
Connection Method	(2) 4" Jumpers supplied w/ each section	*Connector *Factory Solder Tail *Field Solder Tail				Factory Solder Tail
Listing & Standard	ETL Listed UL2108 (LV Lighting)					
IP67 (IEC-60529) Outdoor submersible to 1m	Not Available	Add Suffix WP for IP67	IP67		Add Suffix WP for IP67	IP67
	Full IP67 only if cut, sealed and tail soldered in factory					
Operating Temp Range	-40° to 140° F					
Warranty	Limited 12 month warranty when installed per manufacturer's instructions. Full terms on request.					

For a Complete Ordering Code, include: <Westflex Product Code> <Color> and Specify Options wanted: (-WP, optional for SMD and SMD-RGB, standard for CM, CMX and SMD-S) (-Cut <length in 2" increments, if Cut to Order>) (-Tail <length in feet, if Factory Soldered>). Mounting and Connecting Accessories should be listed separately.



WESTFLEX FAMILY ACCESSORIES

Indoor

Westflex and Westflex SMD are ETL Listed for indoor installation. For damp or outdoor installations, use Westflex - WP.

	Westflex	Westflex SMD	Westflex SMD - RGB
Self Adhesive	na	Standard	
Mounting Clip	FL-MC (3 supplied w/each section)	FL-SMD-MC	
Mounting Track (6' lengths)	na	FL-SMD-MT	
Power Cable	FL-PC (120")	FL-SMD-2PIN-C (20")	FL-SMD-4PIN-C (20")
Jumper Cable	FL-JC-(specify length 4, 8, 12, 24, 48") (2-FL-JC4 standard with each section)	FL-SMD-2PIN-J (2")	FL-SMD-4PIN-J (2")
Factory Solder Leads	Specify length		
Shipping Length	20' roll or cut to order		
Max Length per Feed	10' maximum length per feed		
Shortest field cut	2" (3 lamps)		

IP67 Outdoor

Westflex - WP: all Westflex WP versions are ETL listed for IP67 outdoor installation (submersible up to 1 meter) The full IP67 outdoor and submersible rating is only available with factory leads and seals.

	Westflex SMD-WP	Westflex SMD Covamax WP	Westflex SMD Covamax X WP	Westflex SMD- RGB-WP	Westflex SMD Side Light WP
Mounting Clip 3/ft recommended	FL-SMD-WP-MC-IP (Screw Mount)				SL-SMD-S-WP-MC
Mounting Track (6' lengths)	FL-SMD-MT				na
Factory Solder Leads	Specify length - factory solder lead required for full IP67.				
Max Length per Feed	10' maximum length per feed				
Cut Length	Specify illuminated length in 2" increments. Must be cut and sealed in factory for full IP67.				

Indoor Protected

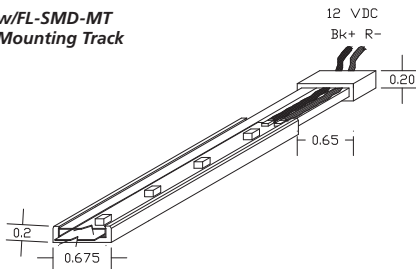
Westflex - WP products retain ETL listing for indoor installation when cut and soldered in the field. This can offer significant splash protection in indoor areas like Backbars, Kitchen Cabinets and Baths. Please use only factory cut and sealed IP67 rated products outdoors and in damp, wet or submerged locations.

	Westflex SMD-WP	Westflex SMD Covamax WP	Westflex SMD Covamax X WP	Westflex SMD- RGB-WP	Westflex SMD Side Light WP
Mounting Clip 3/ft recommended	FL-SMD-WP-MC (Adhesive Mount) or FL-SMD-WP-MC-IP (Screw Mount)				FL-SMD-S-WP-MC
Mounting Track (6' lengths)	FL-SMD-MT				Mounting Track & Cables are not available for SMD-S
Power Cable	FL-SMD-2PIN-C (20")		FL-SMD-4PIN-C (20")		
Jumper Cable	FL-SMD-2PIN-J (2")		FL-SMD-4PIN-J (2")		
Factory Solder Leads	Specify length				
Shipping Length	20' roll or cut to order				
Max Length per Feed	10' maximum length per feed				
Shortest Field Cut	2" (3 lamps)				
End Cap	FL-SMD-WP-EC				FL-SMD-S-WP-EC
Sealant (1 oz.)	FL-SMD-WP-S				

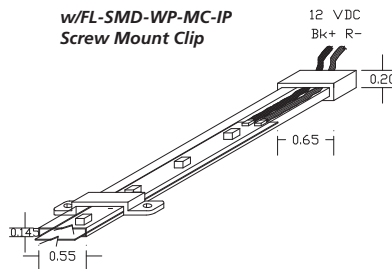
Westflex SMD-WP, Covamax WP, Covamax-X-WP and SMD-RGB WP

Westflex SMD-S

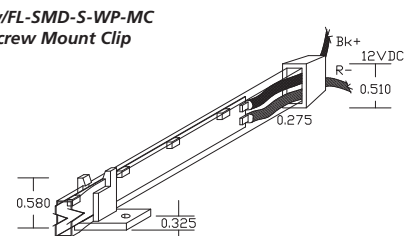
w/FL-SMD-MT
Mounting Track



w/FL-SMD-WP-MC-IP
Screw Mount Clip



w/FL-SMD-S-WP-MC
Screw Mount Clip



3125773



644 Fayette Avenue, Mamaroneck, New York 10543

Phone: 914.698.1141 Fax: 914.698.9419

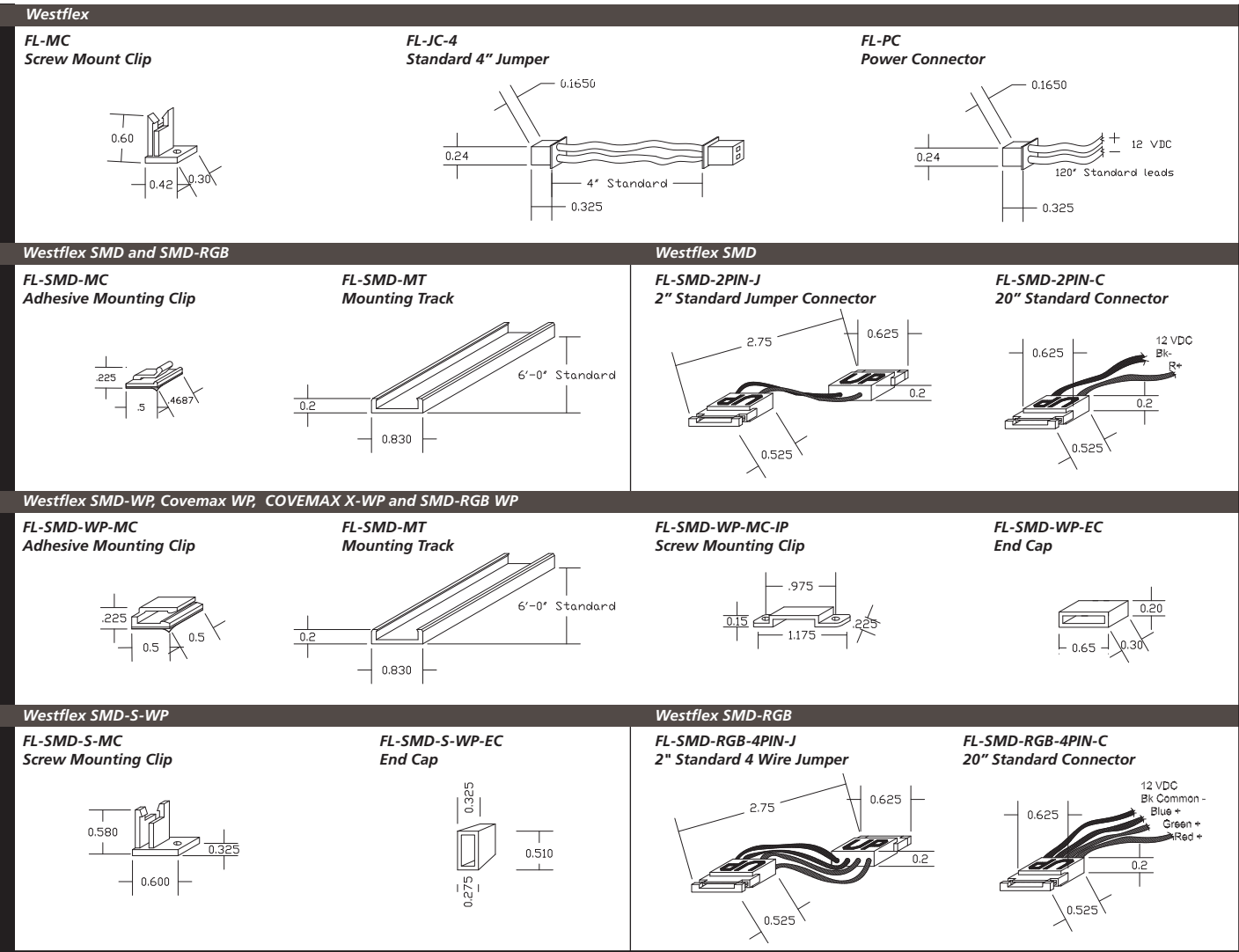
E-Mail: info@tprlights.com



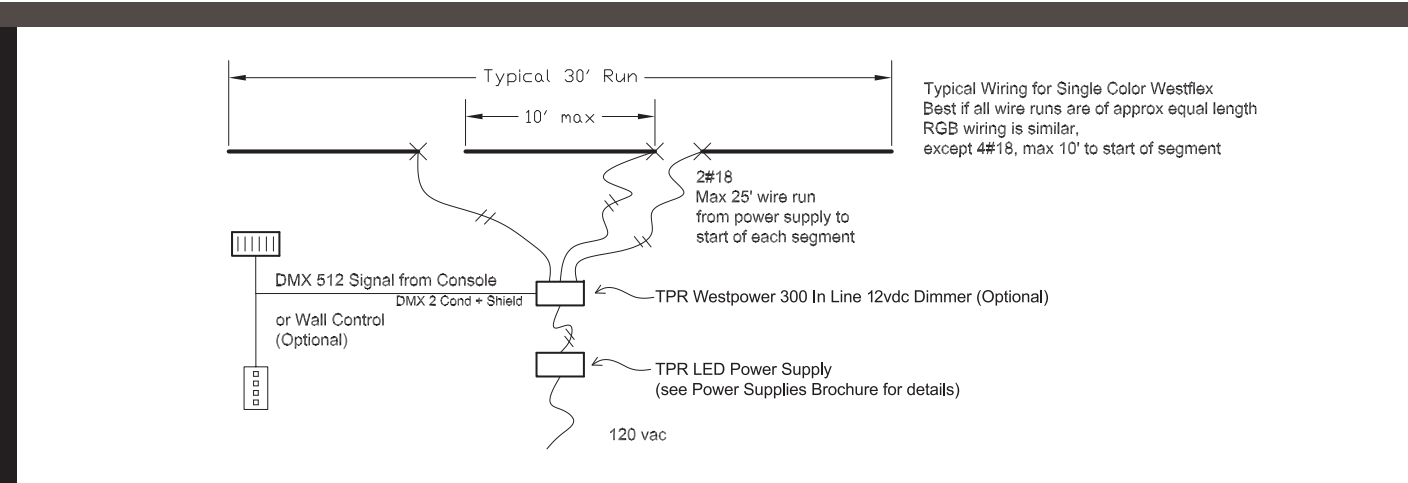
TPR ENTERPRISES, LTD.

WESTFLEX FAMILY ACCESSORIES DIAGRAMS

Westflex™ Family of Lighting Products



TYPICAL WIRING DETAILS



644 Fayette Avenue, Mamaroneck, New York 10543
Phone: 914.698.1141 Fax: 914.698.9419
E-Mail: info@tprlights.com

