



TPR ENTERPRISES, LTD.

**SPECIFICATIONS**

**FEATURES**

USB programmable  
Stand-alone operation  
DMX controllable

**ELECTRICAL**

Input Voltage: 100V-240V AC  
Power Consumption: 120W MAX

**OPERATING ENVIRONMENT**

Ingress Protection: IP20  
Exposure: Dry location  
Operating Temperature: 0° to 40°C  
Storage Temperature: -40° to 70°C  
Airflow: 35 cfm  
Acoustic Noise: 33.5 dBA

**MECHANICAL**

Material/Finish: Black anodized aluminum  
Weight: 5.3 lbs  
Dimensions: 11.4" x 5.3" x 4.3"  
AC input connector: IEC 60320 C14

**MOUNTING**

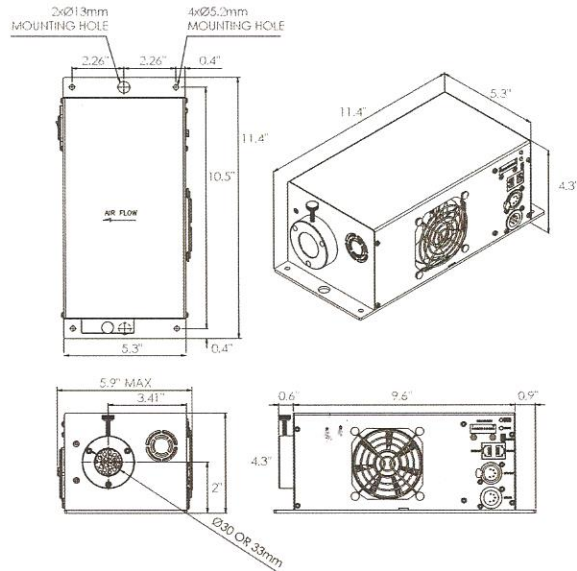
OK to mount in any orientation  
Best orientation is with exhaust vent facing up  
Keep vents free from obstruction



**OPTICAL PERFORMANCE**

Device Color	Port Lumens*	Minimum CRI
Mixed RGBA	630/830/230/600lm	NA
Mixed RGBW	630/830/230/780lm	NA
2800K White	2750lm	85
3000K White	2750lm	85
4200K White	3125lm	85
4400K White	3125lm	85
5000K White	3250lm	85
6500K White	3375lm	75

\*Typical value at 25°C ambient



**ORDERING GUIDE**

<b>FL5100B</b> —	<input type="text"/>	—	<input type="text"/>	—	<input type="text"/>	—	<input type="text"/>
	Device Color		Fiber Port Size		Homogenizer		Twinkle Wheel
	<b>MA</b> Mixed RGBA		<b>30</b> 30mm		<b>N</b> No Homogenizer		<b>NT</b> No Twinkle Wheel
	<b>MW</b> Mixed RGBW		<b>33</b> 33mm		<b>H</b> With homogenizer		<b>TW</b> With Twinkle Wheel
	<b>2800</b> 2800K White						
	<b>3000</b> 3000K White						
	<b>4200</b> 4200K White						
	<b>4400</b> 4400K White						
	<b>5000</b> 5000K White						
	<b>6500</b> 6500K White						

**FIBER CAPACITY:** Using 0.75mm Diameter Fiber: 700 fibers max in 30mm Fiber Port, 1000 fibers max in 33mm Fiber Port. Large Core outer diameter: 30mm for 30mm Fiber Port, 33mm for 33mm Fiber Port. Accessories offered for common end diameters less than 30mm and 33mm: ACS30-xx and ACS33-xx.  
**HOMOGENIZER:** Homogenizer is suggested when using stranded fiber to ensure each strand is illuminated equally in intensity and color.

Example: FL5100B-MA-30-N-NT