



TPR ENTERPRISES, LTD.®

# TPR RGB & RGBW Linear Wall Washers —— Guide ——



Supplied with Cree single color (RGB) or 4-in-1 LED's (RGBW), the TPR Linear Wall Washer is DMX addressable and compatible with all DMX control systems for infinite color choices. The TPR Linear Wall Washer can also be operated as a stand alone fixture or in multiple master/satellite configurations with built-in pre-programmed color changing effects. These fixtures are supplied with feed through for power and DMX. The TPR Linear Wall Washer has a cast aluminum/extruded housing. The TPR Linear Wall Washer is IP65 rated and can be used indoors as well as outdoors. The TPR Linear Wall Washers are available in 1', 2' and 4' lengths and supplied complete with adjustable mounting bracket.

## Modes

**Independent Mode:** Manual mode. One fixture connected to power; no DMX connected. On-board colors and scenes can be manipulated from the buttons on the end cover.

**DMX Mode:** DMX gets connected to the first fixture in the daisy-chain. Every 40' of fixtures needs to be re-fed power and DMX. The last fixture in the chain gets terminated.

**Master/Satellite Mode:** DMX is NOT connected. First fixture in the chain gets addressed to 001, all other fixtures in the chain get addressed to anything other than 001. The first fixture (001 address) acts as the "controller", and the rest of the fixtures in the chain synchronize their colors/intensities to match the first controlling fixture.

### Digital Read-out on end of each fixture



● ●  
**A-button B-button**

The A-button changes the place of the value you are working with, the B-button scrolls through all the values. For Independent mode and the first fixture in Master/Satellite mode, the first value will ALWAYS be a "P".

In DMX mode (with DMX connected), this value will ALWAYS be 3 digits. If DMX connection is lost, the system will always revert to whatever the last "P" code was programmed to, and the lights will react accordingly. For example: if your fixture lost the DMX connection, but was originally addressed to P19 independent mode, then the fixture will light Static Red. See table below for color/scene list.



### On-board Colors/Scenes List

(for use in Independent and Master/Satellite Modes ONLY):

#### RGB fixtures:

H-Value	Y-Value	H-Value	Y-Value
1 – Static Red	1-9 Brightness level	7 – Static White	1-9 Brightness level
2 – Static Green	1-9 Brightness level	8 – Multi-color changing	1-9 Speed level
3 – Static Yellow	1-9 Brightness level	9 – Single Fading	1-9 Speed level
4 – Static Blue	1-9 Brightness level	A – Multi-color Fading	1-9 Speed level
5 – Static Magenta	1-9 Brightness level	B – Multi-color Flashing	1-9 Speed level
6 – Static Cyan	1-9 Brightness level	C – Auto-run All	1-9 Loop

#### RGBW (4 in 1) fixtures:

(S = Static, R = Red, G = Green, B = Blue, W = White)

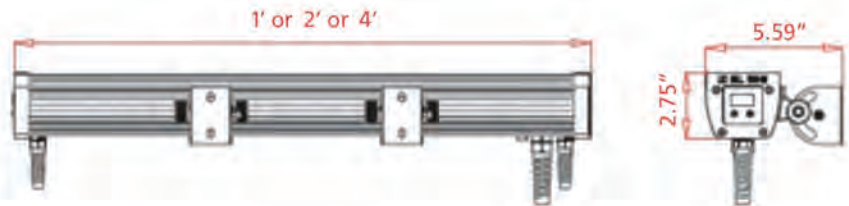
H-Value	Y-Value	H-Value	Y-Value
1 – Static Red	1-9 Brightness level	B – Static W + R + G	1-9 Brightness level
2 – Static Green	1-9 Brightness level	C – Static W + B	1-9 Brightness level
3 – Static Yellow	1-9 Brightness level	D – Static W + B + R	1-9 Brightness level
4 – Static Blue	1-9 Brightness level	E – Static W + B + G	1-9 Brightness level
5 – Static Magenta	1-9 Brightness level	F – Static W + R + G + B	1-9 Brightness level
6 – Static Cyan	1-9 Brightness level	G – Multi-color Changing	1-9 Speed level
7 – Static R + B + G	1-9 Brightness level	H – Single Fading	1-9 Speed level
8 – Static White (W)	1-9 Brightness level	L – Multi-color fading	1-9 Speed level
9 – S White + Red	1-9 Brightness level	P – Multi-color flashing	1-9 Speed level
A – S White + Grn	1-9 Brightness level	U – Auto-run All	1-9 Loop

## Dimensions & Mounting

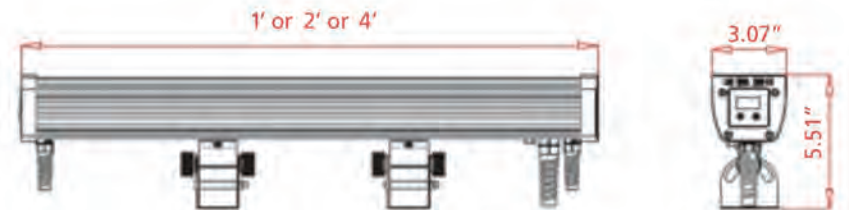
See dimensions. All RGB and RGBW Linears allow for either bottom or side mounting.

### Dimension Drawing

Side Mounting



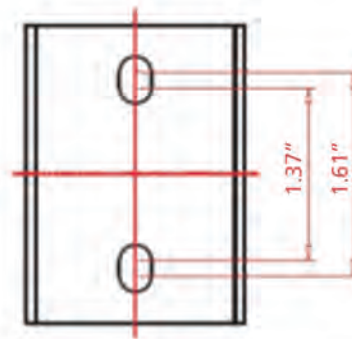
Bottom Mounting



### Installation Drawing

Mount the brackets via #10/32 fasteners, mounting size as below.

Bottom & Side Mounting

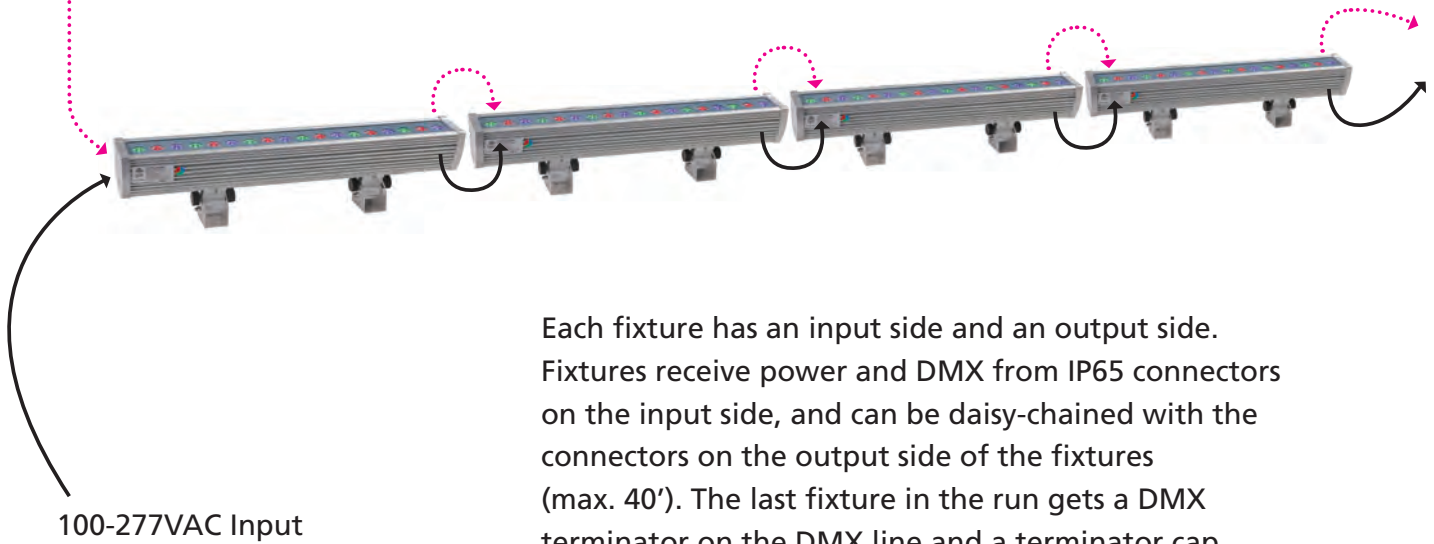


## Connections



DMX Controller

DMX Cable



Each fixture has an input side and an output side. Fixtures receive power and DMX from IP65 connectors on the input side, and can be daisy-chained with the connectors on the output side of the fixtures (max. 40'). The last fixture in the run gets a DMX terminator on the DMX line and a terminator cap on the power line.