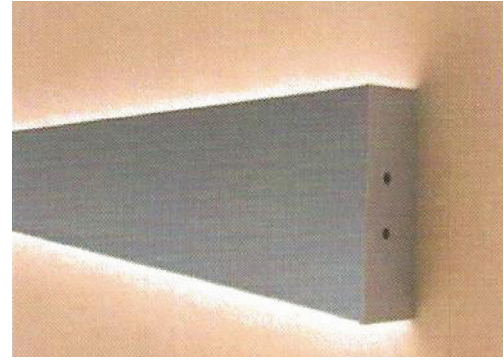
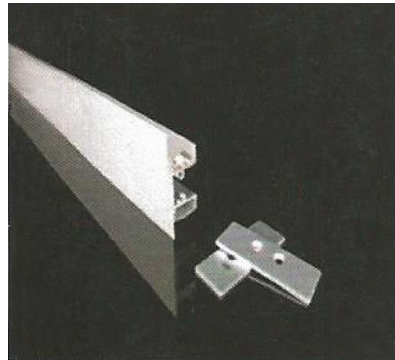
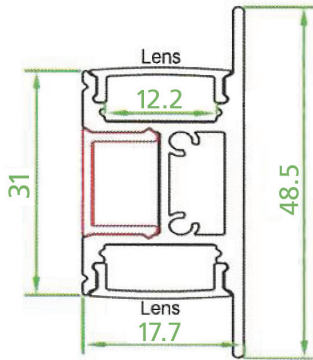


TPR UP DOWN LINEAR EXTRUSION

O-YD-1402

IP44



Description:

The **TPR Up Down Linear Extrusion** is a decorative and functional accessory for the Westflex® Family of tape lights. It is an aluminum channel with polycarbonate lens which can house a single row (both up and down) of any of our Westflex® Tape Light series (Westflex® SMD, Covemax® X, Westflex® RGB, etc). This product has three lens options and can be custom cut for lengths up to 6 feet long.

Specifications: *

Construction: Aluminum channel, Polycarbonate lens
 Lumen Output: See Westflex® Tape lights
 Operating Temp: -4F to 104F (-20C to 40C)
 Dimensions: 32.7mm x 85mm x 6'L

Certifications:



Ordering Logic:

MODEL	LENS	LENGTH (in inches)
TPR-EXT-UPDOWN	F (Frosted) M (Milk) C (Clear)	Ex: 36"

* Specifications subject to change without notice.