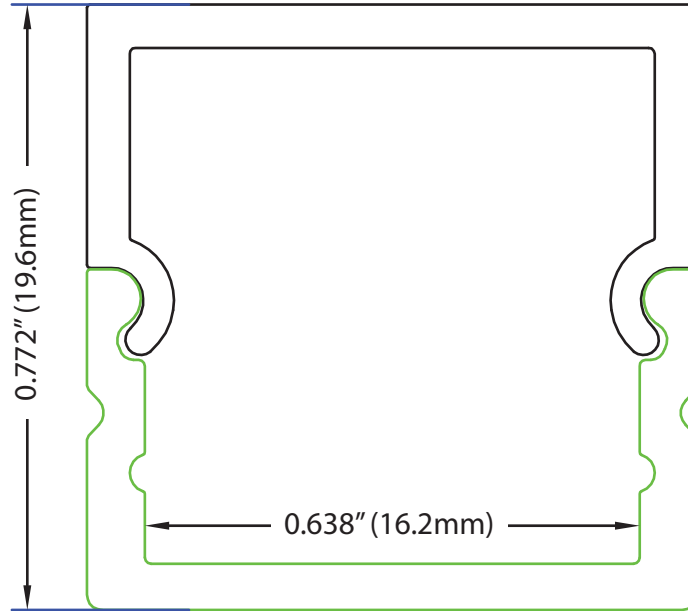


TPR WESTFLEX® SQUARE EXTRUSION



Description:

The **TPR Westflex® Square Extrusion** is an aluminum channel with UV inhibitive acrylic lens accessory for the Westflex® family of tape lights. The lens comes in Opalescent and Clear versions for a multitude of applications, including Neon replacement and Linear lighting. The fixture comes up to 6' long and can be cut to length. With a low profile end cap these can be run end to end for a near seamless look. It can be made for indoor or outdoor use.

Specifications: *

Construction:	Extruded Aluminum Channel Base, UV Inhibitive Acrylic Lens
Dimensions:	0.772"(19.6mm) x 0.772"(19.6mm) x 6'(1.829m) [max]
Lens:	Opalescent, Clear

Ordering Logic:

MODEL		LENS		LENGTH (in inches)		PROTECTION	
TPR-SQR	- EXT	- OP (Opalescent)	-	-	-	- IP (Indoor Protection)	
		- CL (Clear)	-			- WP (Weatherproof)	

* Specifications subject to change without notice.