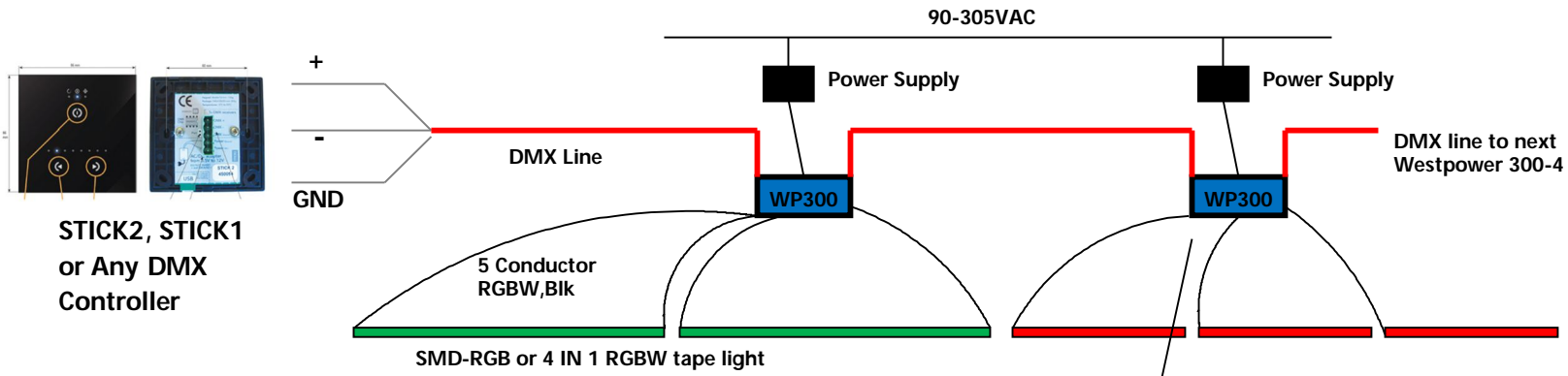
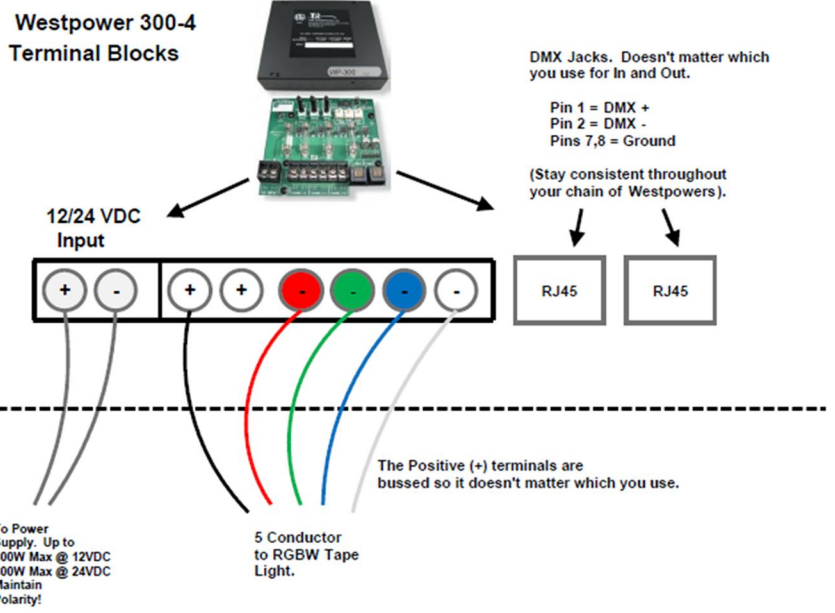


# Westflex SMD-RGB or 4 In 1 RGBW with Westpower 300-4 Layout



**STICK2, STICK1  
or Any DMX  
Controller**



**Notes:** The Westpower 300-4 can handle either 12VDC or 24VDC. The White knobs on the board are for DMX addressing. When put to 000 it enables the Black Potentiometer knobs that will dim the Red, Green, Blue and White Channels.

For more information see Users Manuals on the TPR Website [www.tprlights.com](http://www.tprlights.com)