



TPR ENTERPRISES, LTD.

TPR 0-10V Dimming 96W Power Supply

IP20



Description:

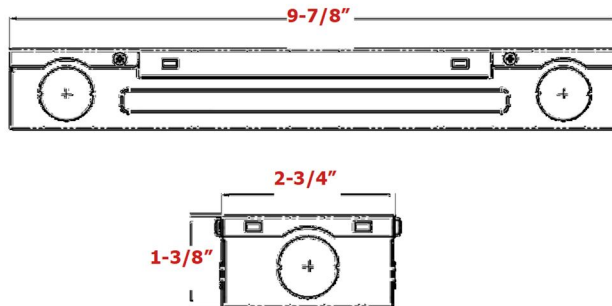
The TPR 0-10V Dimming 96W Power Supply is an IP20 rated, multipurpose driver for LED lighting. It has Universal Voltage input (120-277V) and 12/24V* output, is above 90% efficient, and has excellent overdrive protection. It is perfect for use with the Westflex Family, Shadow Bar Series, LED Neon and Mirage Panel Light products. These drivers are also equipped with their own 0-10V dimming output.

Specifications:

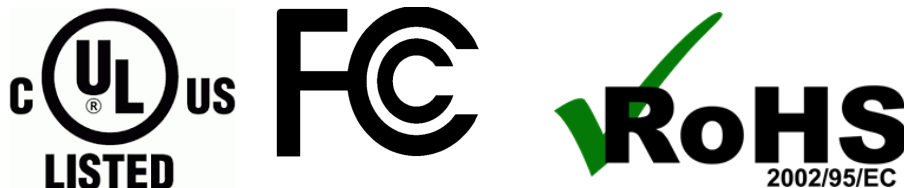
- Input Voltage 120-277 (+/-10%)
- Input Frequency 50/60Hz
- Output Voltage: 12VDC or 24VDC
- Minimum Operating Temp. -30°C
- Maximum Case Temp. 77.5°C
- Weight 1.38 lbs

WIRING INFORMATION

- Input 6" # 18AWG
- Black (L), White (N), Green (G)
- Output 6" # 18AWG
- Red (+), Black/White (-)
- Dimming 6" # 24AWG
- Purple (+), Grey (-)



Certifications:



Ordering Logic:

TPR - PPS - 96W - Voltage - 10V
 12V
 24V