

# TPR PHANTOM™ QUANTUM FLOODLIGHT

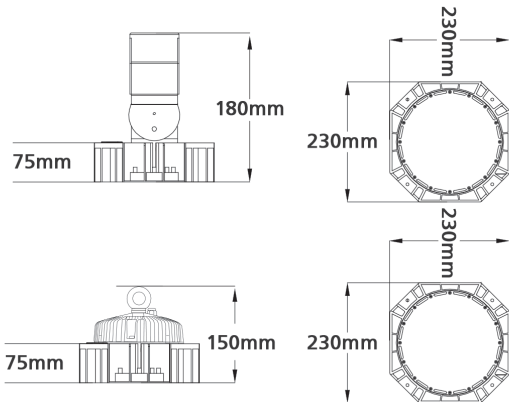
IP67

## Description:

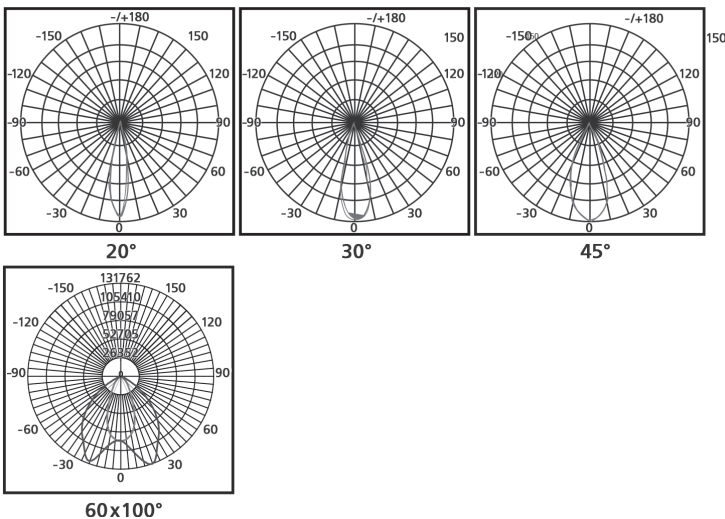
The **TPR Phantom™ Quantum** is a solid state white light fixture for architectural and commercial markets. It uses high power Cree LEDs for maximum punch and reliability, is IP67 rated for outdoor use, and has an on-board power supply with 0-10V dimming. The Phantom Quantum flood is available in several different beam angles and color temperatures for a variety of applications.



## Product Dimensions:



## Photometrics:



## Specifications:

Power:	100W
Lumen Output:	16000lm
Dimensions:	230*230* 150mm
CCT:	3000K 4000K 5000K 6000K
CRI:	>80Ra
Lens:	20/30°/45°
Input Voltage:	AC100-277V
Power Frequency:	50-60Hz
Dimmable:	0-10V
IP Rating:	IP67
Lifespan:	100,000+ Hours
Storage Temperature:	-20°~65°C
Operating Temperature:	-20°~55°C

## Certifications:



## Ordering Logic:

MODEL	COLOR TEMP	BEAM ANGLE
TPR-PHAN-QUAN	3000K	20°
	4000K	30°
	5000K	45°
	6000K	