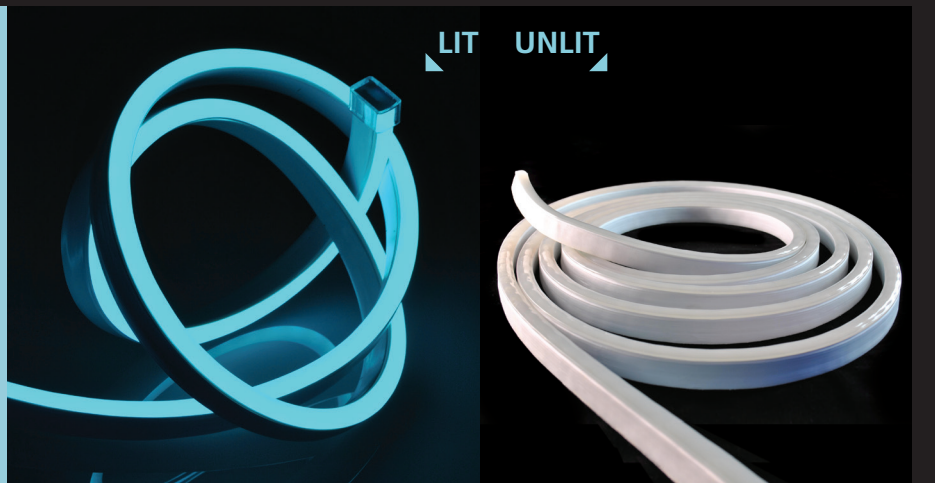


TPR WESTFLEX® RGB FLAT-TOP LED NEON

IP68

Description:

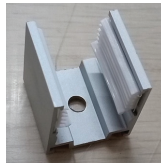
The **TPR Westflex® RGB Flat-top LED Neon** is a flexible Neon replacement product for use in Architectural and Entertainment venues. It is IP68 rated for extreme weather and has an extremely tight bend radius (horizontal bend). This product is great for outlining buildings and creating curved lines of light and uses DMX 512 for control.



Specifications:

- Power Consumption:** 3.7Watts at Full RGB
- Operating Voltage:** 24VDC
- Operating Temp:** -4F to 104F (-20C to 40C)
- Dimensions:** 0.46"W x 0.82"H
- Lamp Life:** 50,000 Hours 70% Lumen Maintenance
- Min Bend Radius:** 4.75"
- Min Segmentation:** 100mm (3.9370")
- Max Run Lengths:** 21' Single Feed, 42' Double Feed
- Lumens (by color):**
RED: 70 lumens per foot
GREEN: 18 lumens per foot
BLUE: 42 lumens per foot
BLUE: 9 lumens per foot

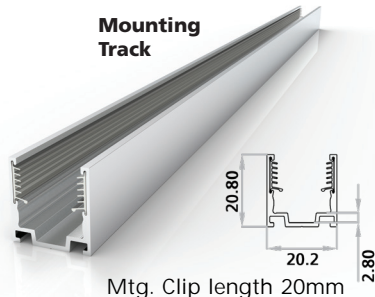
Mounting Clip



Certifications:



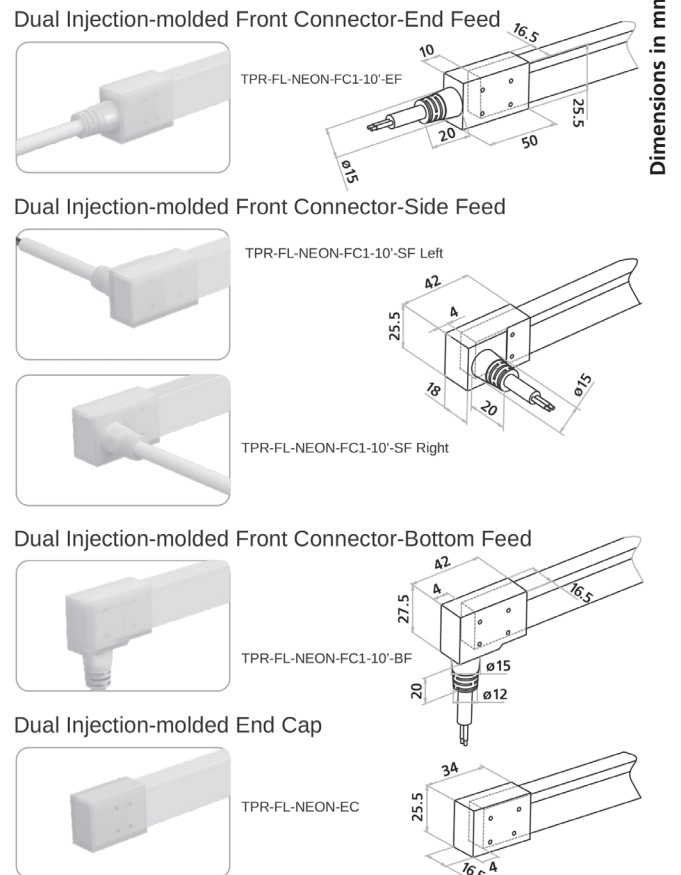
Mounting Track



Ordering Logic:

MODEL	COLOR	TOP	FEED TYPE
TPR-FL-NEON	RGB	F (flat-top)	EF (end feed) BF (bottom feed) SF-R (side feed, right side) SF-L (side feed, left side)

TPR Westflex® Flat-top Neon End Dimensions



- Note:
1. Unless otherwise stated, the tolerance of the connector is $\pm 0.5\text{mm}$;
 2. To avoid damage from the excessive force on cable joint, please keep at least 60mm of cable ahead in the natural state.
 3. All Front Connectors will be made with a 10' tail.