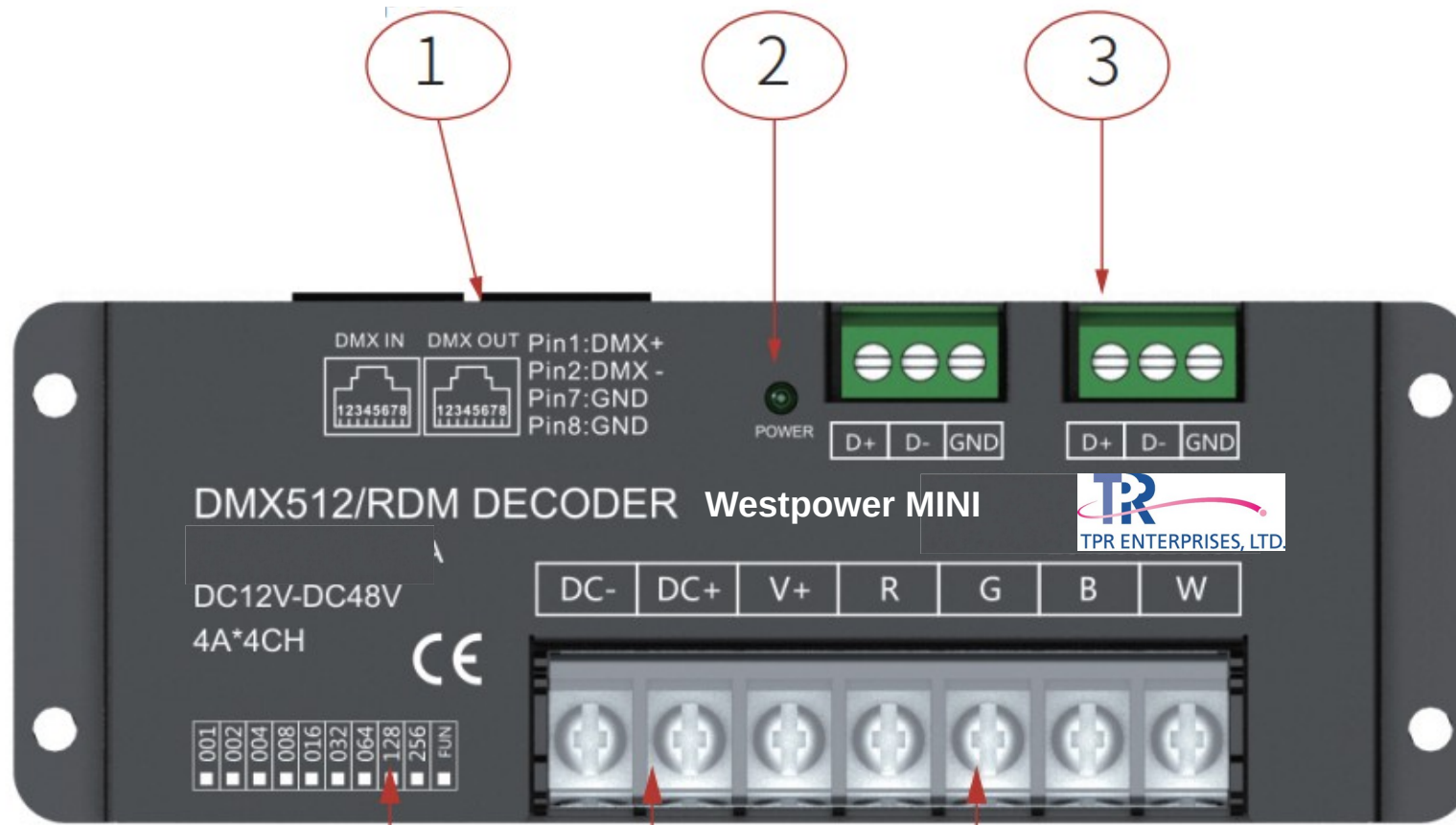


# TPR WestPower® Mini DC Dimmer DMX512/RDM 4 Channel Instruction Manual





#### LEGEND

1. RJ45 IN/OUT (meant for RJ45 DMX terminators ONLY)
2. GREEN LED: "POWER" only lights when both INPUT DC power AND when DMX IN is connected (and present).
3. GREEN TERMINALS - one side is DMX IN and the other side is DMX OUT respectively.
4. DIPSWITCHES for DMX addressing. Also used for built-in functions when DMX is NOT present.
5. DC (-) and DC (+) INPUT TERMINALS from LED DRIVER \*12-48V DC only\*
6. V(+), R, G, B,W = OUTPUT TERMINALS to LEDs. R,G,B and W terminals are all negative in polarity.

#### DIP SWITCH SETTING

DIP1-9: sets the address of the first channel of DMX decoder, and the corresponding table of dialing switch shows that the sum of numbers is the first channel address of DMX decoder. The valid address in DMX mode is  $1 \leq 511$ , (address 511 is self-test mode, output RGBW gradient).

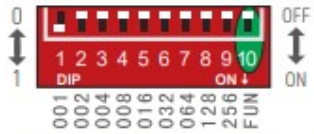
\*When the address is set to 0, the default is RDM mode.

DIP10 : FUN represents the end resistance of 120 ohms.

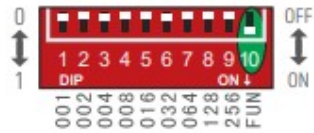
### The Setting Of The Dmx First Address:



RDM mode: when the code extraction switch 110 is fully turned upward.

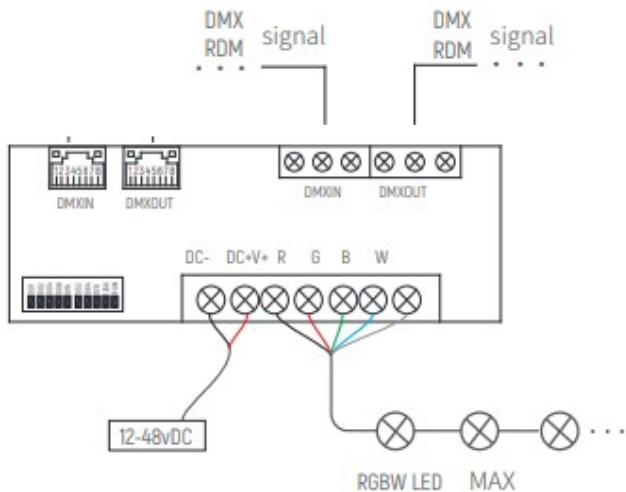


DMX mode: FUN = OFF (when the 10th pull-out switch is up), The DMX address can now be set by the 1-9 dial switch

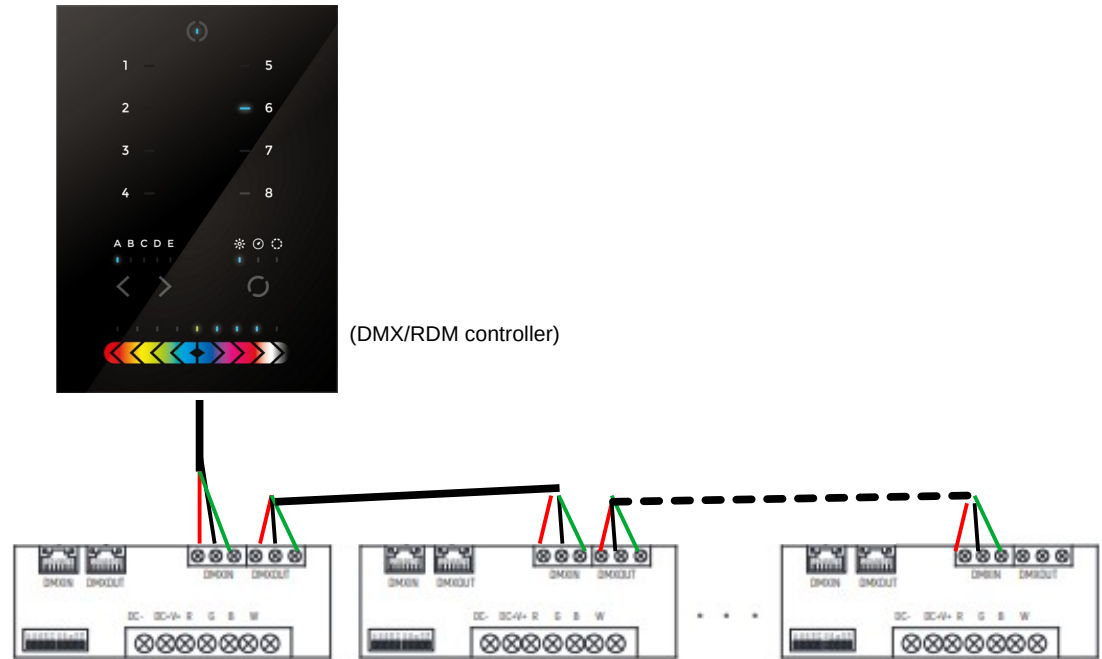


Self-test mode: FUN = OFF (address 511 is self-test mode, output RGBW gradient)

### System connection diagram



### Connection diagram



	DIP1	DIP2	DIP3	DIP4	DIP5	DIP6	DIP7	DIP8	DIP9	DIP10
OFF	0	0	0	0	0	0	0	0	0	NA
ON	1	2	4	8	16	32	64	128	256	FUN

DIP1-9: sets the address of the first channel of DMX decoder, and the corresponding table of dialing switch shows that the sum of numbers is the first channel address of DMX decoder. The valid address in DMX mode is  $1 \leq 511$ , (address 511 is self-test mode, output RGBW gradient). When the address is set to 0, the default is RDM mode.  
 DIP10: FUN represents the end resistance of 120 ohms.