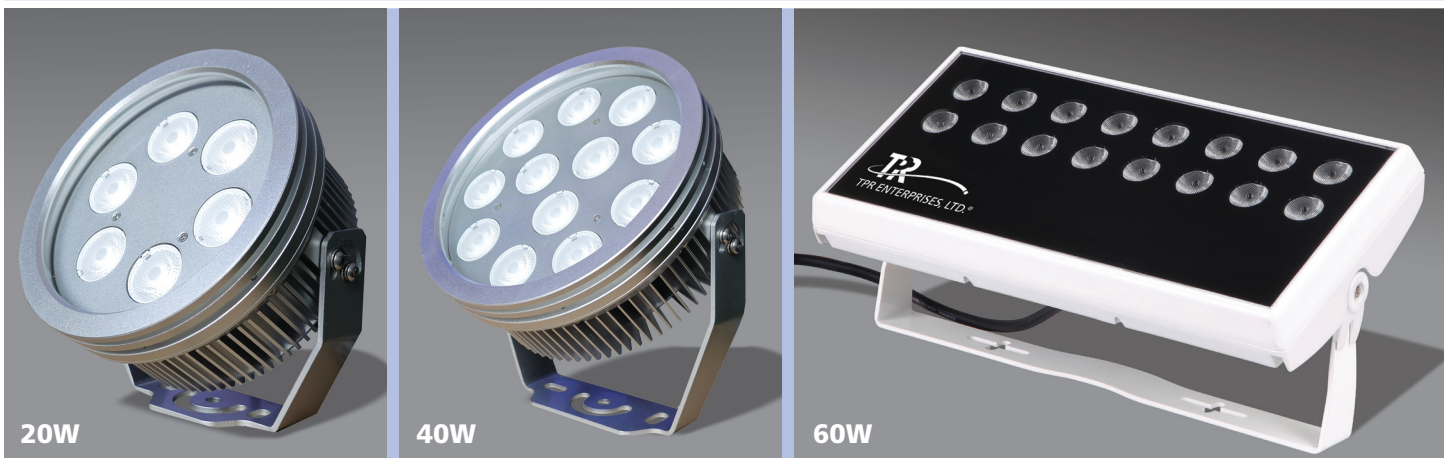




TPR ENTERPRISES, LTD.®

TPR 20W, 40W & 60W Single Color & RGBW Washers —— Guide ——



Supplied with single color and 4-in-1 RGBW LED's, the TPR Wall Washer is DMX/RDM addressable and compatible with all DMX/RDM control systems for infinite color choices. The TPR Wall Washer can also be operated as a stand alone fixture or in multiple master/satellite configurations with built-in pre-programmed color changing effects. These fixtures are supplied with feed through for power and DMX/RDM. The TPR Wall Washer has a cast aluminum/extruded housing. The TPR Wall Washer is IP65 rated and can be used indoors as well as outdoors. The TPR Wall Washers are available in multiple beam spreads and supplied complete with adjustable mounting bracket.

Modes

Independent Mode: Manual mode. One fixture connected to power; no DMX/RDM connected. On-board colors and scenes can be addressed from the buttons on the display.

DMX/RDM Mode: DMX/RDM gets connected to the first fixture in the daisy-chain. Every 32 fixtures needs to be re-fed power and DMX/RDM. The last fixture in the chain gets terminated.

Master/Satellite Mode: DMX/RDM is NOT connected. First fixture in the chain gets addressed to 001, all other fixtures in the chain get addressed to anything other than 001. The first fixture (001 address) acts as the “controller,” and the rest of the fixtures in the chain synchronize their colors/intensities to match the first controlling fixture.

Digital Read-out on each fixture



The **A-button** changes the place of the value you are working with, the **B-button** scrolls through all the values. For Independent mode and the first fixture in Master/Satellite mode, the first value will ALWAYS be a “P”.

In DMX/RDM mode (with DMX/RDM connected), this value will ALWAYS be 3 digits. If DMX/RDM connection is lost, the system will always revert to whatever the last “P” code was programmed to, and the lights will react accordingly. For example: if your fixture lost the DMX/RDM connection, but was originally addressed to P19 independent mode, then the fixture will light Static Red. See table on the next page for color/scene list.

On-board Colors/Scenes List

(for use in Independent and Master/Satellite Modes ONLY):

RGBW (4 in 1) fixtures:

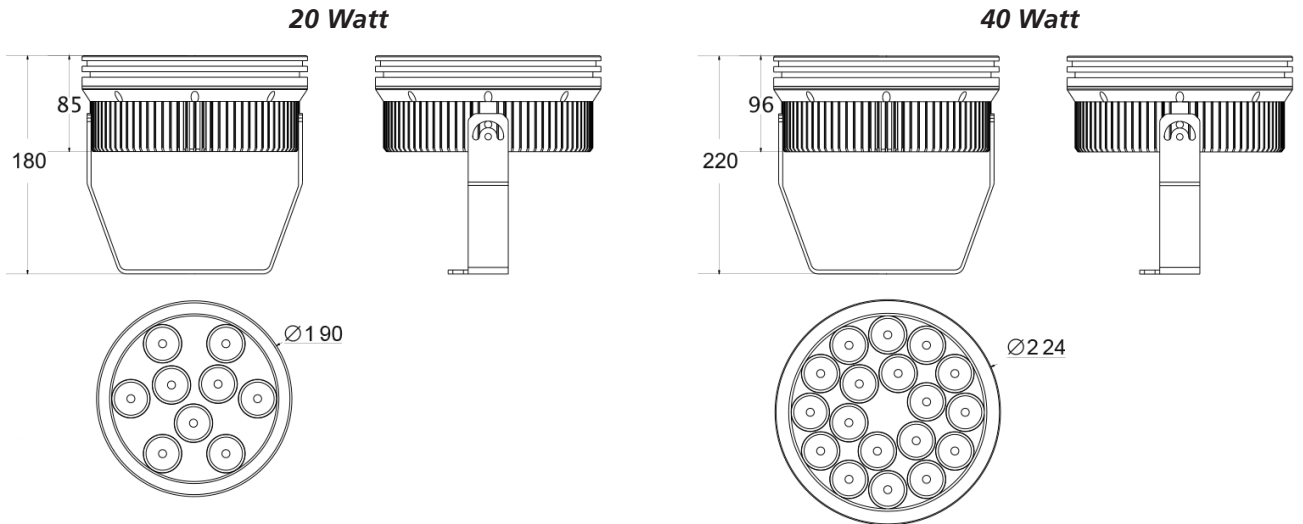
(**S** = Static, **R** = Red, **G** = Green, **B** = Blue, **W** = White)

H-Value	Y-Value	H-Value	Y-Value
1 – Static Red	1-9 Brightness level	B – Static W + R + G	1-9 Brightness level
2 – Static Green	1-9 Brightness level	C – Static W + B	1-9 Brightness level
3 – Static Yellow	1-9 Brightness level	D – Static W + B + R	1-9 Brightness level
4 – Static Blue	1-9 Brightness level	E – Static W + B + G	1-9 Brightness level
5 – Static Magenta	1-9 Brightness level	F – Static W + R + G + B	1-9 Brightness level
6 – Static Cyan	1-9 Brightness level	G – Multi-color Changing	1-9 Speed level
7 – Static R + B + G	1-9 Brightness level	H – Single Fading	1-9 Speed level
8 – Static White (W)	1-9 Brightness level	L – Multi-color fading	1-9 Speed level
9 – S White + Red	1-9 Brightness level	P – Multi-color flashing	1-9 Speed level
A – S White + Grn	1-9 Brightness level	U – Auto-run All	1-9 Loop

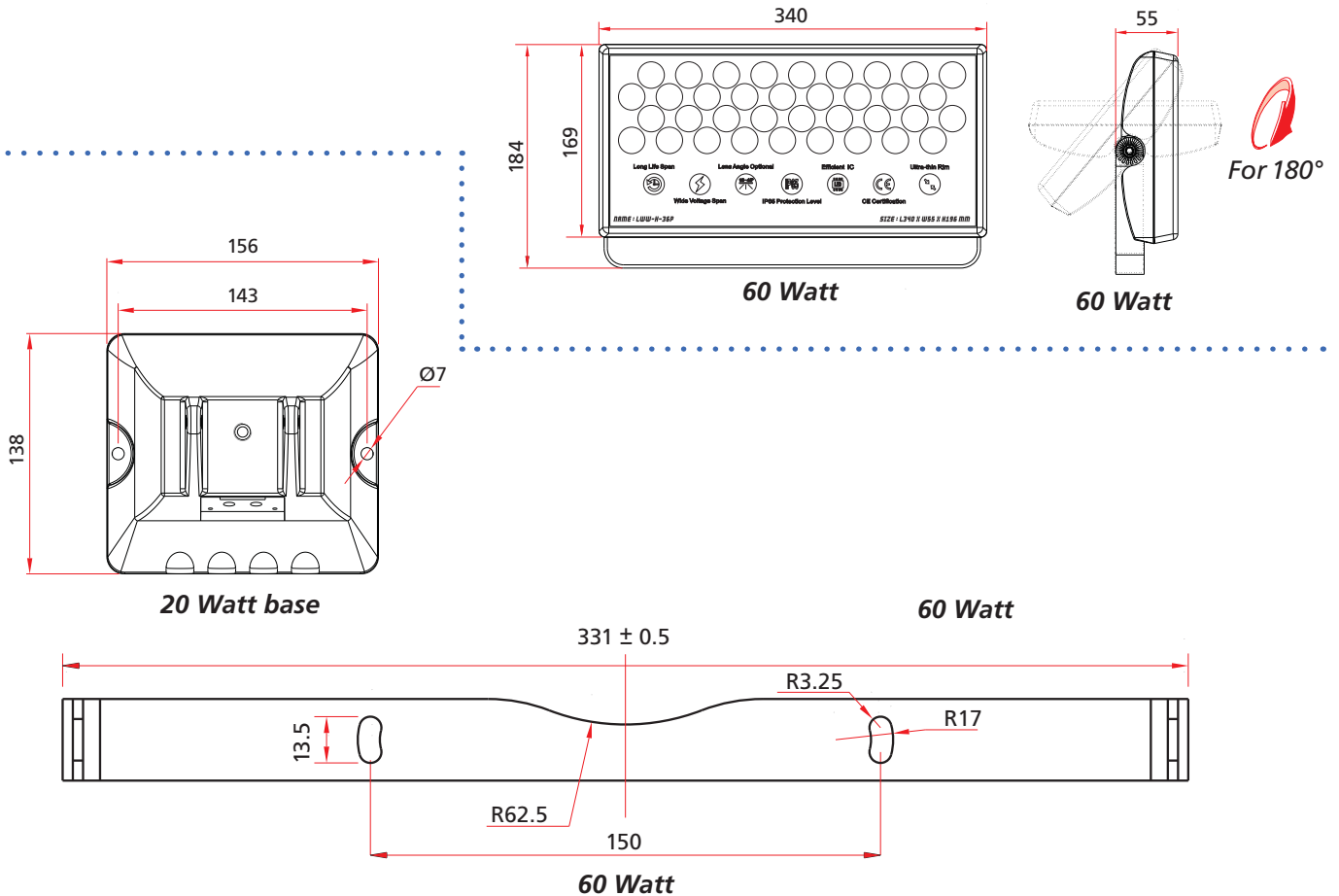
Specifications subject to change without notification.

Dimensions & Mounting

Dimension Drawings



Installation Drawings



Specifications subject to change without notification.

Connections



◀ **Wall pad DMX controller: Start of DMX signal.**

Programming is highly dependent on your set up/layout. We can help with custom programming (at additional cost). We will always send these out with a factory program based on all fixtures being set to 001 DMX address only. Each fixture below (per data-line) is addressed for independent control (controller must be programmed accordingly to allow this to work).



◀ **DMX Splitter/Booster**

Allows for multiple outputs or data-lines coming from one input (control source), as DMX cannot be Y or T-cabled. We recommend DMX cabling not exceed 900' between the control source (on the input side) and the same amount between the splitter/booster and the terminator.

✦ **DMX terminator** plugs must be used to prevent data-line reflection. Always connect to the last fixture in each dataline. ✦

Phantom 20W floods (DMX daisy-chained together)



Phantom 40W floods (DMX daisy-chained together)



Phantom 60W RGBW floods (DMX daisy-chained together)



You can DMX daisy-chain up to 32 lights maximum from each splitter/booster output. Splitter/boosters may be daisy-chained for more outputs if necessary.

Specifications subject to change without notification.