

TPR PHANTOM™ 20W FLOOD LIGHT

IP65

Description:

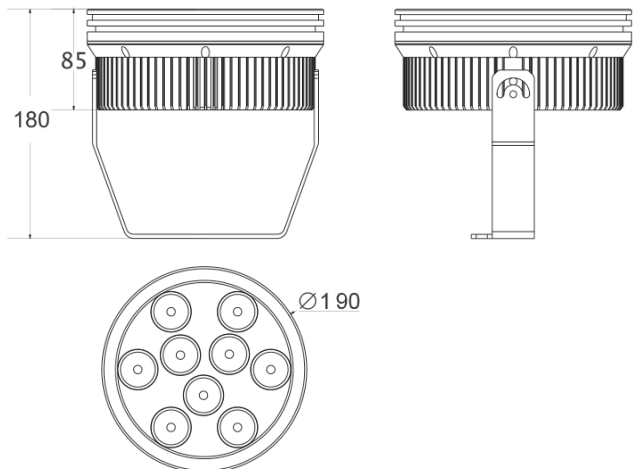
The **TPR Phantom™ 20W Flood Light** is an energy efficient low profile fixture for Architectural and Entertainment use. It is available in White Light, Solid Colors, RGBW Color Changing and Tunable White. It is IP65 rated for outdoor use. The housing is die cast aluminum. It features an integral DMX display and on board programming capability.



Specifications:

Operating Voltage:	100–240VAC	Beam Angle:	5, 10, 20, 40, 60 degrees
AC Power Feed Through:	30 fixtures max	Lifetime:	50,000 hrs (70% lumen maintenance)
Lumen Output:	1050 (RGBW 4000K @ 40°) 1250 (3000K @ 40°)	Weight:	6.5 lbs
Operating Temp:	-4F to 104F (-20C to 40C)	Rotary Angle:	360 degree
Dimensions:	3.3"H x 7.5"W 7.3"H x 7.5"W (with yoke)	Construction:	Diecast Aluminum Housing Heat Treated Glass Lens
Power:	20W	Display:	Touchscreen
Control System:	DMX 512 RDM		

Certifications:



Specifications subject to change without notification.

TPR PHANTOM™ 20W FLOOD LIGHT

IP65

CONTINUED

Accessories:

PART #	JUMPER POWER
PHJUMP1.5P	1.5 ft. Cable IP65 – IP65
PHJUMP3P	3 ft. Cable IP65 – IP65
PHJUMP6P	6 ft. Cable IP65 – IP65
PHJUMP10P	10 ft. Cable IP65 – IP65

PART #	POWER FEED
PHPOWER10	10 ft. Cable IP65 – Bare Ends

PART #	JUMPER DMX
PHJUMP1.5DMX	1.5 ft. Cable IP65 – IP65
PHJUMP3DMX	3 ft. Cable IP65 – IP65
PHJUMP6DMX	6 ft. Cable IP65 – IP65
PHJUMP10DMX	10 ft. Cable IP65 – IP65

Ordering Logic:

MODEL	COLOR	BEAM ANGLE
TPR-PH20	RGBW (3300K)	5°
	RGBW (4500K)	10°
	RGBW (6500K)	20°
	3000K	40°
	4000K	60°
	6000K	
	Tunable White (2700K – 6000K)	
	Red	
	Blue	
	Green	
Amber		

Specifications subject to change without notification.