

# TPR PHANTOM™ 40W FLOOD LIGHT

IP65

## Description:

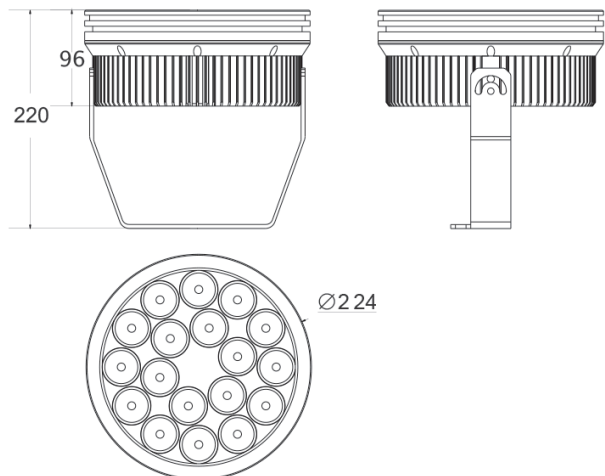
The **TPR Phantom™ 40W Flood Light** is an energy efficient low profile fixture for Architectural and Entertainment use. It is available in White Light, Solid Colors, RGBW and Tunable White. It is IP65 rated for outdoor use. The housing is die cast aluminum. It features an integral DMX display and on board programming capability.



## Specifications:

<b>Construction:</b>	Die cast Aluminum Housing Heat Treated Glass lens	<b>Dimensions:</b>	3.8" H x 8.8" W 8.7" H x 8.8" W (with yoke)
<b>Power:</b>	40W	<b>Weight:</b>	10lbs
<b>Lumens:</b>	1975 (RGBW 3000K @ 15°) 2950 (3000K @ 10°)	<b>Lamp Life:</b>	50,000 hrs (70% lumen maintenance)
<b>Operating Voltage:</b>	100-240VAC	<b>Control System:</b>	DMX 512, RDM (RGB, RGBW) + Tunable
<b>AC Power Feed Through:</b>	15 fixtures max	<b>Rotary Angle:</b>	360 degree
<b>Operating Temp:</b>	-4F to 104F (-20C to 40C)	<b>Display:</b>	Touchscreen

## Certifications:



Specifications subject to change without notification.

# TPR PHANTOM™ 40W FLOOD LIGHT

IP65

CONTINUED

## Accessories:

PART #	JUMPER POWER
PHJUMP1.5P	1.5 ft. Cable IP65 – IP65
PHJUMP3P	3 ft. Cable IP65 – IP65
PHJUMP6P	6 ft. Cable IP65 – IP65
PHJUMP10P	10 ft. Cable IP65 – IP65

PART #	POWER FEED
PHPOWER10	10 ft. Cable IP65 – Bare Ends

PART #	JUMPER DMX
PHJUMP1.5DMX	1.5 ft. Cable IP65 – IP65
PHJUMP3DMX	3 ft. Cable IP65 – IP65
PHJUMP6DMX	6 ft. Cable IP65 – IP65
PHJUMP10DMX	10 ft. Cable IP65 – IP65

## Ordering Logic:

MODEL	COLOR	BEAM ANGLE
TPR-PH40	RGBW (3300K)	5°
	RGBW (4500K)	10°
	RGBW (6500K)	20°
	3000K	40°
	4000K	60°
	6000K	
	Tunable White (2700K – 6000K)	
	Red	
	Blue	
	Green Amber	

Specifications subject to change without notification.